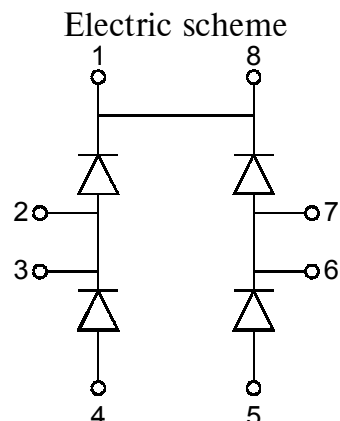
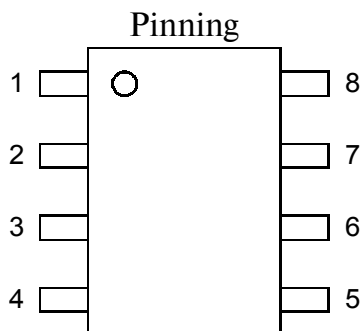


IW0140A4

ULTRAFAST RECTIFIER DIODE ARRAY



Ultrafast diode array designed for use in systems of protection of telephone lines from overvoltage.
The device is available in DIP-8 case

MAXIMUM RATINGS (for every diode of assembly)

| Rating | Symbol | Mode of measurement | Value | Unit |
|---------------------------------|-----------|---------------------|---------|------|
| Peak Repetitive Reverse Voltage | U_{RR} | T=1 cek Q=50 | 400 | V |
| Peak Rectified Forward Current | I_F | | 1 | A |
| Operating Junction Temperature | T_J | | 150 | °C |
| Storage Temperature | T_{STG} | | -40-150 | °C |

ELECTRICAL CHARACTERISTICS (for every diode of assembly) for $T_{AMB}=25^{\circ}C$

| Rating | Symbol | Mode of measurement | Value | Unit |
|--|------------|-----------------------------------|-------|---------|
| Maximum Instantaneous Forward Voltage* | U_F | $I_F=1A$ | 1,7 | V |
| Maximum Instantaneous Reverse Current* | I_R | $U_R=400B$ | 50 | μA |
| Maximum Forward Recovery Time | t_{RECF} | $I_F=1 A,$ $di/dt=50 A/\mu s,$ | 40 | ns |
| Maximum Reverse Recovery Time | t_{RECR} | | 60 | ns |

