

IN74VHCT00D

QUAD 2-INPUT NOR GATE

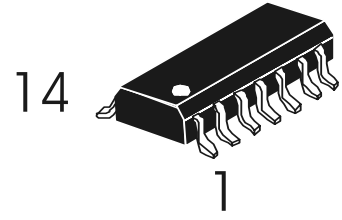
IN74VHCT00D is high-speed logic IC made by CMOS technology and designed for use in high-performance calculating systems with a wide supply voltage range.

As for operation speed, IN74VHCT00D can be compared with equivalent bipolar ICs based on Schottky TTL and two times surpasses ICs of IN74HC series.

IN74VHCT00D tolerates operation under conditions when voltage on input & output is exceeded up to 7V without affecting characteristics and IC reliability. This possibility allows to use IN74VHCT00D in radio-electronic devices for interfacing with supply voltages 5V and 3V, eliminate IC failure under supply voltage source emergency outage.

Use of output edge shaping block in the microcircuit allows to reduce noise amplitude of noises when switching outputs into the same state simultaneously.

Input levels of IN74VHCT00D are compatible with TTL level and output levels with CMOS levels



Features:

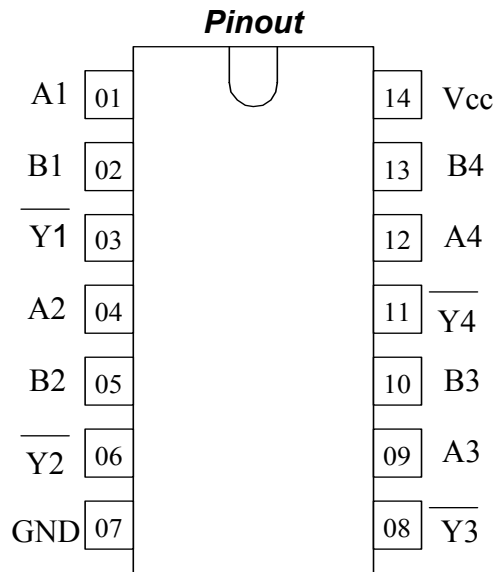
- Supply voltage range 4.5 to 5.5 V.
- Output current 8 mA.
- Low consumption current: 0.2 mA (typical value) at $T_a = 25\text{ }^\circ\text{C}$.
- Latchup current not less than 300 mA at $T_a = 85\text{ }^\circ\text{C}$.
- Tolerable value of static potential not less than 2000 V as per human body model (HBM) and not less than 200 V as per machine model (MM).
- Ambient operation temperature minus 40 to plus 85 $^\circ\text{C}$.
- Balanced signal propagation delay.
- Ensures voltage exceeding mode on input
- Low noise level at the simultaneous switching of outputs in the same state: $V_{OLP} = 0.8\text{ V (max)}$.
- For pins and functions, compatible with IN74HCT00.

IN74VHCT00D

IN74VHCT00D truth table

Input		Output
A	B	$Y = \overline{A * B}$
L	L	H
L	H	H
H	L	H
H	H	L

Note –
H - high voltage level;
L - low voltage level;



Pins description in IN74VHCT00D

Pin No.	Symbol	Description
01	A1	Input
02	B1	Input
03	$\overline{Y1}$	Output
04	A2	Input
05	B2	Input
06	$\overline{Y2}$	Output
07	GND	Common output
08	$\overline{Y3}$	Output
09	A3	Input
10	B3	Input
11	$\overline{Y4}$	Output
12	A4	Input
13	B4	Input
14	V _{CC}	Supply output from voltage source

IN74VHCT00D

Absolute maximum conditions*

Parameter, unit	Symbol	Value	
		min	max
Supply voltage, V	V_{CC}	-0.5	7.0
Input voltage, V	V_{in}	-0.5	7.0
Output voltage, V	Vout	-0.5	$V_{CC} + 0.5B$
Output voltage, V	Vout1	-0.5	7.0
Input diode current, mA	lik	-	-20
Current of common output and supply output, mA	lcc		± 50
Output current, mA	lout		± 25
Output diode current, mA	lok		± 20
Dissipated power, mW	Pd		180

*Under absolute maximum conditions operation of microcircuit is not guaranteed. Operation is guaranteed under maximum conditions

Maximum conditions

Parameter, unit	Symbol	Value	
		min	max
Supply voltage, V	V_{CC}	4.5	5.5
Input voltage, V	V_{in}	0	V_{CC}
Output voltage, V	Vout	0	V_{CC}
Output voltage, V	Vout1	0	5.5*
Output current, mA	lout	-	± 8.0
Input rise and fall time, ns/V	t_{LH}, t_{HL}	0	20

* - $V_{CC} = 0V$

IN74VHCT00D

DC electrical characteristics

Symbol	Parameter	Test conditions	V _{CC} , V	Value				Unit
				25 °C		-40 to 85 °C		
				min	max	min	max	
V _{IH}	High input voltage	V _O ≤ 0.1 V or V _O ≥ V _{CC} - 0.1	4.5 – 5.5	2.0 2.0	-	2.0 2.0	-	V
V _{IL}	Low input voltage	V _O ≤ 0.1 V or V _O ≥ V _{CC} - 0.1	4.5 – 5.5	-	0.8 0.8	-	0.8 0.8	
V _{OH}	High output voltage	V _I = V _{IH} or V _{IL} I _O = -50 mA	4.5 5.5	4.42 5.42	-	4.4 5.4	-	
		V _I = V _{IH} or V _{IL} ; I _O = -8 mA	4.5	3.94	-	3.80	-	
V _{OL}	Low output voltage	V _I = V _{IH} or V _{IL} I _O = 50 mA	4.5 5.5	-	0.09 0.09	-	0.1 0.1	
		V _I = V _{IH} or V _{IL} I _O = 8 mA	4.5	-	0.36	-	0.44	
I _I	Low level input current	V _I = 0 V	5.5		-0.1		-1.0	
I _{IH}	High level input current	V _I = V _{CC}	5.5	-	0.1	-	1.0	
I _{IH1}	High level input current	V _I = 5.5V	0	-	0.1	-	1.0	uA
I _{OPD}	Output bias current excess mode	V _I = 5.5V	0		0.5	-	5.0	
I _{CC}	Consumption current	V _I = V _{CC} or 0V	5.5	-	2.0	-	20.0	
I _{CCT}	TTL-input consumption current	V _I = 3.4 V	5.5	-	1.35	-	1.5	mA

IN74VHCT00D

AC electrical characteristics ($t_{LH} = t_{HL} = 3.0$ ns)

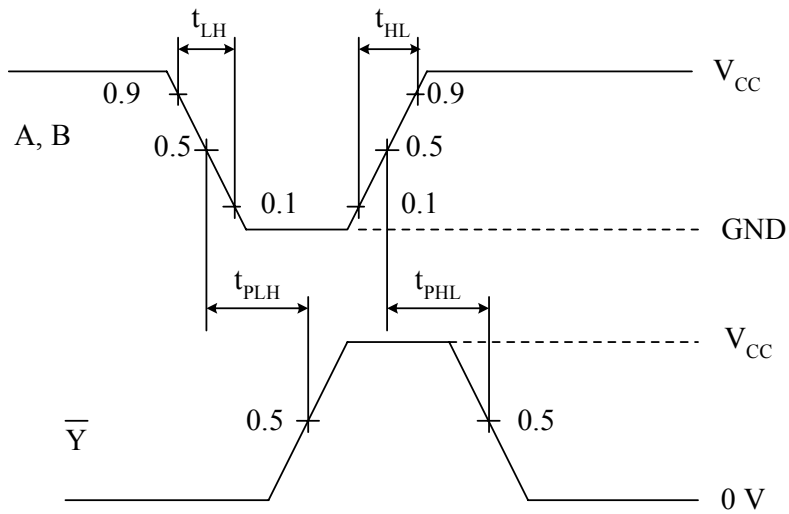
Symbol	Parameter	Test conditions	V_{CC} , V	C_L , pF	Value				Unit
					25 °C		-40 to 85 °C		
					min	max	min	max	
t_{PHL} , t_{PLH}	Propagation delay time when switching "on", "off"	$V_{IL} = 0$ V, $V_{IH} = 3.0$ V,	5.0 ± 0.5	15	-	6.9	-	8.0	ns
				50	-	7.9	-	9.0	
C_I	Input capacity	-	5.0			10			pF
C_{PD}	Dynamic capacity	$V_I = 0$ V or V_{CC}	5.0			38			

Noise characteristics ($C_L = 50$ pF)

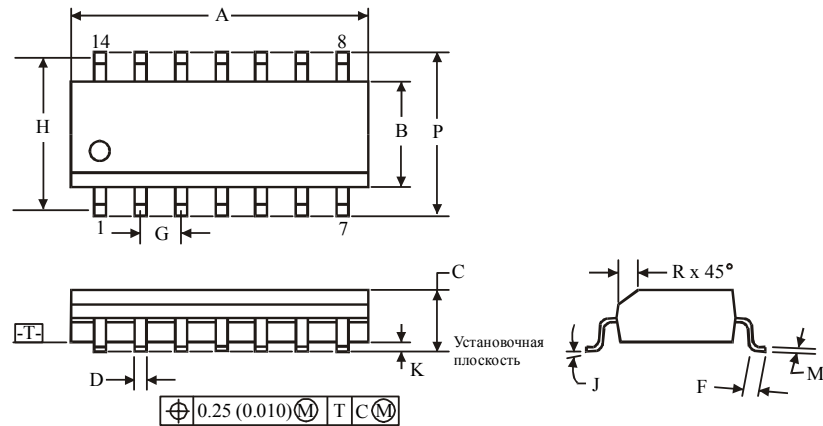
Symbol	Parameter	V_{CC} , V	Value		Unit
			min	max	
V_{OLP}	Positive noise of low output voltage	5.0	-	0.8	V
V_{OLV}	Negative noise of low output voltage	5.0	-0.8	-	
V_{IHD}	Input dynamic high voltage	5.0	2.0	-	
V_{ILD}	Input dynamic low voltage	5.0	-	0.8	

IN74VHCT00D

- Time diagram of input and output pulses



MS-012AB Package dimensions



	Dimensions, mm	
	min	max
A	8.55	8.75
B	3.80	4.00
C	1.35	1.75
D	0.33	0.51
F	0.40	1.27
G	1.27	
H	5.72	
J	0°	8°
K	0.10	0.25
M	0.19	0.25
P	5.80	6.20
R	0.25	0.50